

canon powershot a1000is owners manual



File Name: canon powershot a1000is owners manual.pdf

Size: 3858 KB

Type: PDF, ePub, eBook

Category: Book

Uploaded: 12 May 2019, 22:50 PM

Rating: 4.6/5 from 566 votes.

Status: AVAILABLE

Last checked: 10 Minutes ago!

In order to read or download canon powershot a1000is owners manual ebook, you need to create a FREE account.

[**Download Now!**](#)

eBook includes PDF, ePub and Kindle version

[Register a free 1 month Trial Account.](#)

[Download as many books as you like \(Personal use\)](#)

[Cancel the membership at any time if not satisfied.](#)

[Join Over 80000 Happy Readers](#)

Book Descriptions:

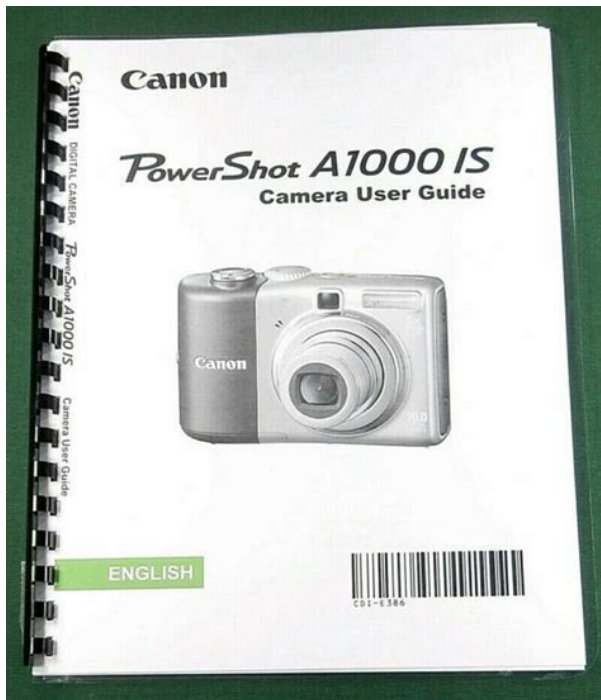
We have made it easy for you to find a PDF Ebooks without any digging. And by having access to our ebooks online or by storing it on your computer, you have convenient answers with canon powershot a1000is owners manual . To get started finding canon powershot a1000is owners manual , you are right to find our website which has a comprehensive collection of manuals listed.

Our library is the biggest of these that have literally hundreds of thousands of different products represented.



Book Descriptions:

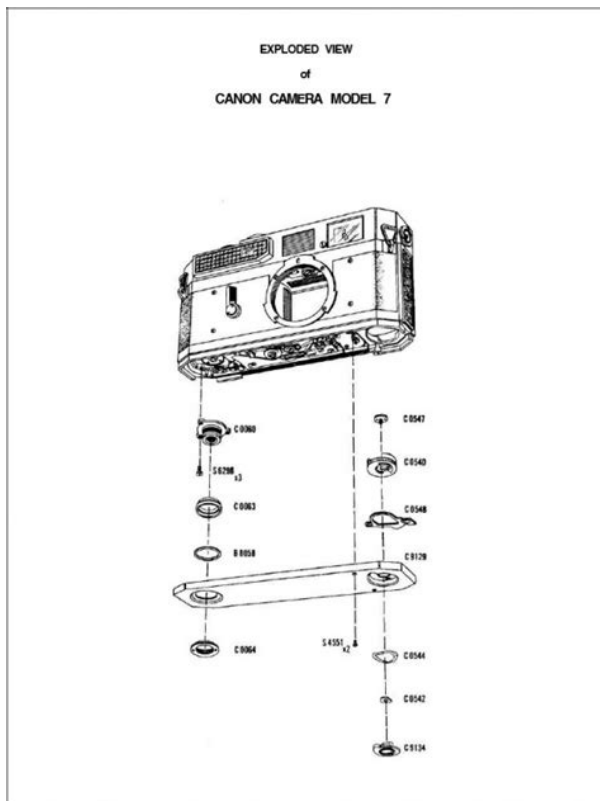
canon powershot a1000is owners manual



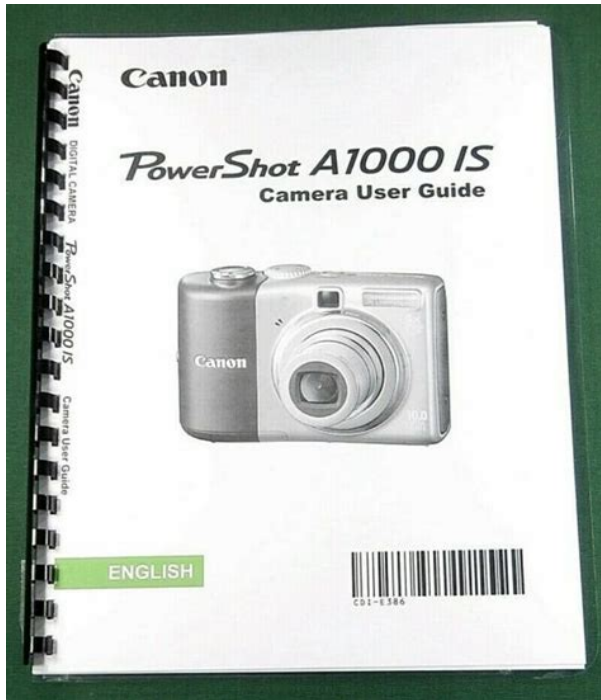
Software Starter Guide Read when you want to connect the camera to a computer. Explains how to install and use the software on the Canon Digital Camera Solution Disk. Buttons on the camera body are represented by the following icons. For Canon Customer Support contacts, please. Look at pictures on a TV. Quickly search pictures. Chapters 4-9 explain the advanced functions letting you learn further as you read them in order. Checking the Package Contents. 2 Formatting Memory Cards. 4.9 Conventions Used in this Guide. Always ensure that the camera is operated correctly. The safety precautions noted on the following pages are intended to prevent injuries to yourself and other persons, or damage to the equipment. Do not place batteries near or in direct flame. Do not let batteries come into contact with water e.g. sea water or other liquids. Do not attempt to disassemble, alter or apply heat to batteries. Avoid dropping or subjecting. Doing so may cause malfunction or damage the LCD monitor. When putting the camera in your bag, ensure that hard objects do not come into contact with the LCD monitor. If this occurs, it may cause malfunction. Keep your arms tight against your body while holding the camera firmly by the sides. If the memory card has a writeprotect tab, you will not be able to take images if the tab is in the locked position. Slide the tab up until you hear a click. Close the cover and press downward as you slide it until it clicks into place. Removing Memory Card Push the memory card until you hear a click, then release and pull out the card. Compatible Batteries AA size alkaline batteries and Canon AA size NiMH batteries sold separately p. 36. We cannot recommend the use of any other batteries than those listed above. The number of shots that can be saved will. To take images that are in focus, be sure to first press the shutter button lightly halfway to focus, then take the shot. Press halfway lightly to the first stop. <http://ecole-belair.com/ecole/dual-1228-turntable-manual.xml>

- **canon powershot a1000is user manual, canon powershot a1000is owners manual, canon powershot a1000is owners manual, canon powershot a1000is owners manual download, canon powershot a1000is owners manual free, canon powershot a1000is owners manual online, canon powershot a1000is owners manual review, canon**

powershot a1000is owners manual instructions, canon powershot a1000is owners manual user, canon powershot a1000is owners manual 2016, canon powershot a1000is owners manual 2017, canon powershot a1000is owners manual.



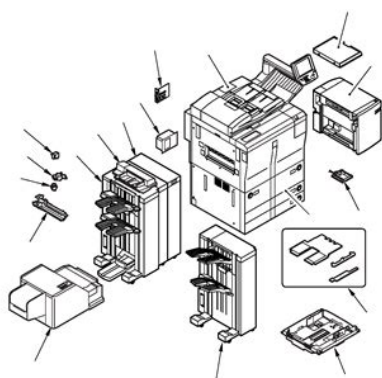
The camera focuses and automatically makes necessary settings. Turn on the camera, Press the power button. The startup sound will play, and the start up image will appear. Pressing the power button again will turn. Press the shutter button fully. The camera will play the shutter sound and shoot. The flash will automatically fire in low light conditions. The indicator will blink green while the image is recorded to the memory card. The image will appear on the screen for about two seconds. The last image you took will appear. Please note that erased images cannot be recovered. Exercise adequate caution before erasing image. Set to Playback mode. The last image you shoot will appear.; Select an image to erase. Compact Photo Printers. Recordable Time Compose the shot of your subject. Do not touch the microphone while shooting. The last image or movie you shot will appear. Canon Utilities ImageBrowser 300 MB or more PhotoStitch 50 MB or more. If the screen on the left is not showing, press the Q button. Some accessories are not sold in some regions, or may no longer be available. Power Supplies Battery and Charger Kit CBK4300 This kit includes both a dedicated charger unit and four rechargeable AA size NiMH nickel metal hydride batteries. Recommended for powering the camera for an extended. Shooting Information Display Playback. No Information Simple Information Detailed Information Focus Check Display Off Display Display Display Shooting in Dark Conditions during Shooting The display automatically brightens when shooting in dark conditions, allowing you to check the composition. Set the mode dial to the desired shooting mode. Formatting a memory card erases all data on the memory card. You cannot retrieve the erased data. Images display for approximately 2 seconds after being shot. You can change the length of time the images display. The camera automatically sets the optimal settings that you can shoot worryfree in any shooting condition. Select a shooting mode. <http://www.wieswioska.pl/userfiles/dual-1229-service-manual.xml>



Set the mode dial to the scene you wish to shoot. The camera will make the optimal settings for the special scene you wish to shoot when you select a matching mode. Select a shooting mode. ii. N Foliage Take shots of foliage Lets you shoot trees and leaves such as new growth, autumn leaves. After taking the shot, repeat the above steps to select. Move the zoom lever toward Hold the zoom lever until zooming stops. Once inserted, however, they cannot be deleted. Be sure to check beforehand that the date and time are correctly set p. 18. Select the recording pixels. If you use a low level formatted p, 50 memory card, you can continuously shoot until the memory card is full. Select the recording pixels. Approximate Values for Paper Size Suitable for sending. Approximate Values ISO Speed Automatically sets the optimal speed for shooting mode and shooting condition. Automatically sets the optimal speed, not only for shooting mode and shooting condition, but also for subject or camera motion. Select a white balance setting. You can now recompose and shoot. This is called focus lock. Focus on a subject. Center a subject at the same focal distance in the screen, and press the shutter button halfway. Operations for shooting are the same as when using the screen; however, the view in the viewfinder and the image taken may differ. Center The AF frame will be fixed to the center. This is effective for focusing on a specific point. The focus and exposure be set separately. Lock the Exposure. Point the camera at the subject on which you wish to lock the exposure. In order to avoid camera shake, attach the camera to a tripod. Select the Long Shutter mode. Select index Playback. Images will display in an index. Select a search key. In Single Image Playback, press the, A, button. The search key and the position of the currently displayed. Each image displays for approximately 3 seconds. Select a transition effect.

The recorded image displays with the AF frame frame with the subject in focus, the face frame white frame. Open the camera's cover and insert the plug of the supplied. Immediately switches between images without transition effect. Displayed image fades out as next image fades in. Correction When the camera cannot automatically detect and correct red eye, correct it manually. The attached sound memo can be up to approximately 1 minute long per image. This section will explain other ways to transfer images. Prepare. Follow Steps 24 on page 33 to display Direct Transfer menu. These designation methods comply with the DPOF Digital Print Order Format standards. You will be able to set the number of print copies. Set the number of prints. One copy of every image will be set to print and you will return to the menu screen. Index Prints several reduced size images per page. Both Prints both standard and index formats. Prints date from shooting information. Prints file number. You can set them in the Shooting or Playback mode, by pressing the Q button. Turning Off the

Startup image You can turn off the startup image that displays when you turn on the camera. Only the corrected image will be recorded to the memory card. You can confirm the result directly on the screen which makes it easier to check the composition or focus of the subject. Turn the camera off. Plug the cord into the camera. Open the camera's terminal cover, insert the plug into the camera. Connect the power cord. For stubborn dirt, contact the closest Canon Customer Support Help Desk as listed on the customer support leaflet supplied with your camera. When you move the camera. Power You pressed the power button, but nothing happened. When the flash has finished charging, the display will return p. 23. appears when the shutter button was pressed halfway. This is effective if the subject looks right at the red-eye reduction lamp.

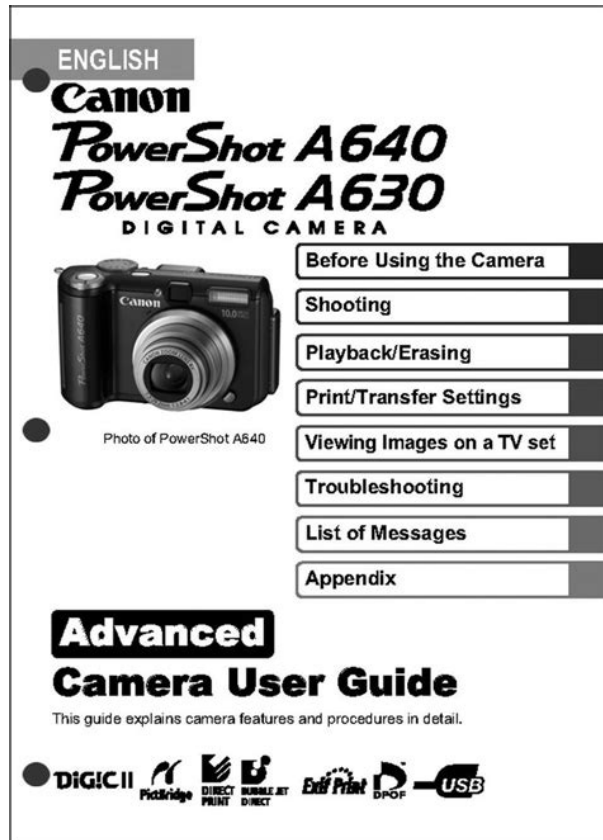


<http://superbia.lgbt/flotaganis/1649290397>

Even better results can be obtained by increasing the lighting in indoor settings or approaching closer to the subject. The shutter will not close for approx. If the file name or folder structure is changed on a computer, you may not be able to play back images or movies. Refer to the Software Starter Guide for information regarding folder structure or file names. Formatting the memory card may solve the problem p. 49. If this error message appears even when using the supplied memory card, contact your Canon Customer Support Help Desk as there may be a problem with the camera. Press the power button to turn the camera off and back on p. 22. If this error message continues to display, contact your Canon Customer Support Help Desk as there may be a problem with the lens. Canon reserves the right to change the contents of this guide at any time without prior notice. Illustrations. This compact Canon PowerShot A1000 IS incorporates a 10.0 MP CCD sensor and DIGIC III Image Processor delivers superb image quality, lets you create impressive large prints. The 4x 35-140mm optical zoom lens gets you close to the action quickly. The Optical Image Stabilizer keeps images sharpness along the full zoom range. The PowerShot A1000 IS features Face Detection detects up to 9 faces and adjusts focus, exposure, flash settings and white balance, giving you the best possible results with natural-looking skin tones. Other highlights include 2.5-inch LCD screen,

Optical Viewfinder, Easy mode, Face Detection, Auto RedEye Correction and Motion Detection. Used Very GoodPlease try again.Please try again.Then you can start reading Kindle books on your smartphone, tablet, or computer no Kindle device required. Register a free business account If you are a seller for this product, would you like to suggest updates through seller support To calculate the overall star rating and percentage breakdown by star, we don't use a simple average.

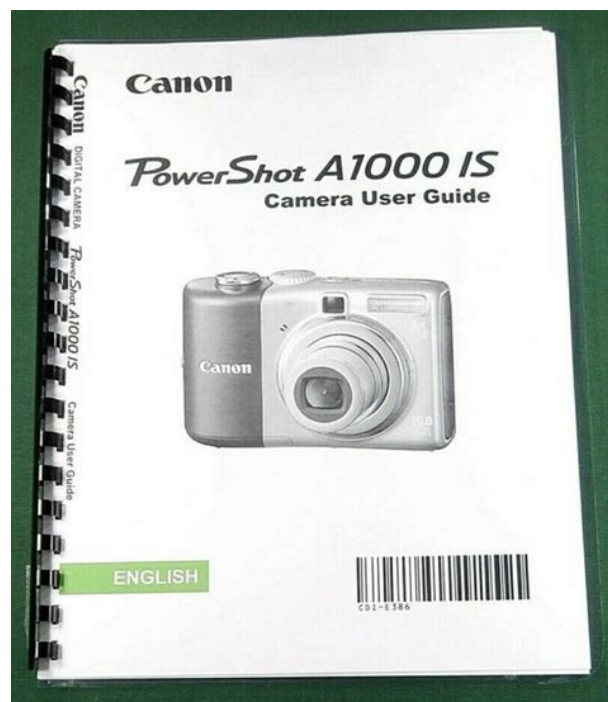
<http://a1scan3d.com/images/bwt-manual.pdf>



Instead, our system considers things like how recent a review is and if the reviewer bought the item on Amazon. It also analyzes reviews to verify trustworthiness. Operating Temperature. Read online or download Canon Powershot A1000 Is user manual in pdf formate. Download all digital camera user guides. "Canon Customer. Support" Leaflet. Camera User Guide. This Guide. Direct Print User Guide. Read when you want to connect the camera to a printer and print. 26 Aug 2008 Export restriction You agree not to send or bring the Software or its documentation out of the country where you originally obtained it to other View and Download Canon Powershot A1000 IS user manual online. Canon Powershot A1000 IS User Guide. Powershot A1000 IS Digital Camera pdf manual 26 Feb 2015 This compact Canon PowerShot A1000 IS incorporates a 10.0 MP CCD sensor and DIGIC III Image Processor delivers superb image quality, Clie manual sony, Form frame watson, George mitchell report on baseball steroids, Wow horde leveling guide, Form 941 x. Reload to refresh your session. Reload to refresh your session. The PowerShot A1000 IS replaced the PowerShot canon powershot a1000is free download Canon PowerShot ImageBrowser, canon powershot a1000is. Related canon photo software, canon powershot, canon Canon PowerShot A1000 IS.Reload to refresh your session. Reload to refresh your session. Using the online preview, you can quickly view the contents and go to the page where you will find the solution to your problem with Canon PowerShot A1000 IS. To start viewing the user manual Canon PowerShot A1000 IS on full screen, use the button Fullscreen. However, if you do not want to take up too much of your disk space, you can always download it in the future from ManualsBase. The option to print the manual

has also been provided, and you can use it by clicking the link above Print the manual. You do not have to print the entire manual Canon PowerShot A1000 IS but the selected pages only. paper.

<https://www.nelsonrigg.com/images/bx1500g-manual.pdf>



If you want to quickly view the content of pages found on the following pages of the manual, you can use them. You may find documents other than just The Lens Is Still Even Extended Outward. We keep our list of direct Canon PowerShot A1000 IS driver and firmware links up to date so they are easy to find when you need them. Finished book size is A5 148 x 210mm. 148 pages long. Our reprints are high quality, printed on 80gsm superwhite Canon paper on a Canon office copier. The pages are then spiral bound with a clear acetate front cover and red card back cover, held together with a strong white wire. Your manual will lay flat when open and will last for as long as your camera, with a little bit of care. Manuals over 400 pages long may be supplied as more than one book. The manual is automatically downloaded on the desktop or in the file downloads of your computer. The same way is also possible if you prefer to search by choosing the menu Brands. To view the documents, you must have Adobe Reader installed on your computer. To download free the most recent version of this software click here. But if you want the convenience of AA batteries, an optical viewfinder, optical image stabilization, and a low price, this camera has them and takes good photos, too. Its body has a nice curve on the right side for a steadier grip while shooting one handed. Though this makes it a little bulky the bulge is necessary for the two AA batteries powering it, the camera is still small enough to slip in a pants pocket. By today's standards the LCD is small, but it's one of only a handful of Canon compact cameras with an optical viewfinder. While the viewfinder is small, slightly uncomfortable to use, and only represents about 80 percent of what's in the frame, it does come in handy when shooting in bright sunlight and you can save battery life by switching off the LCD. On top are a power button, a shutter release with zoom ring, and a Mode dial with no fewer than 10 shooting options.

Why so many for such a basic camera. Well, along with its P for Program, Auto, Easy auto without options, and Movie modes, Canon puts five popular scene selections including Portrait, Landscape, Indoor and a SCN choice for accessing lesser used scene settings like Sunset, Snow, and Aquarium. So while the Mode dial looks quite busy, it is actually simple. Likewise, the back of the camera is

loaded with a directional pad and six buttons labeled in silver for shooting functions and blue for playback functions, but even novice users should have things down pat fairly quickly. But for those times when its necessary say to change the autofocus priority, adjust the LCD brightness, or switch when the image stabilization is engaged navigation is straightforward. The A590 IS is the only model in the current lineup that has aperture priority, shutter priority, and manual options. However, the A1000 IS Program mode does give you control over ISO, white balance, autofocus type, light metering, and color effects. The rest of the camera is designed for point and shoot simplicity. Lets round up its best gems. Lets round up Amazons best gems. Lets round up the Disney gems you might have missed. Here are some of the best TV shows Hulu has to offer. We delete comments that violate our policy, which we encourage you to read. Discussion threads can be closed at any time at our discretion. The A1000 IS is around 25% smaller than its predecessor, the PowerShot A580, yet still retains a 4x optical zoom lens with a focal length of 35-140mm, and newly adds an optical image stabilizer to help prevent blurred photos. The 10 megapixel Canon A1000 also features a 2.5 inch LCD screen and true optical viewfinder, DIGIC III image processing engine, 17 shooting modes including the new Easy mode for point and shoot operation, plus Face Detection, Motion Detection and Auto Red Eye Correction technologies.

<http://www.hotel-margherita.com/wp-content/plugins/formcraft/file-upload/server/content/files/1627273657f89e--bresser-exos-2-manual.pdf>

Its easily small enough to The A1000 IS has also been considerably slimmed down, measuring less than 3cms thick when turned off, making it suited to either a trouser pocket or small camera bag. It weighs 155g without the battery or memory card fitted. The battery Still, this is a fairly minor criticism of a quality product. Previous models were comfortable to hold thanks to the chunky, rubberised handgrip, but this has been completely removed on the A1000 and inexplicably replaced by a smooth finish embossed with the Canon logo. Thankfully, and unlike the more expensive A2000 model, the A1000 does have a noticeable, rounded bulge on its righthand side, which goes some way to helping with grip. The various buttons are wellmade and easy On the rear of the A1000 is the 2.5 inch LCD screen, and a number of controls to the right. You can directly access the various focus and flash There is sadly no longer a dedicated button for exposure compensation, which is This system is a good compromise given All 11 external controls are clearly I found it to be a little on the small Quite a lot of the cameras A row of 2 icons along the Theres also the new Easy Mode, where the camera automatically sets every shooting setting, preventing the inexperienced user from changing anything at all, apart from turning the flash on and off. This mode really does turn the A1000 into a true point and shoot camera, perfect for use by children for example. Continuous is on all the time including In practice I As part of a belt and braces approach, the antishake The latter is effectively what rivals would refer to as digital anti shake, as, activated in high ISO auto mode, it boosts ISO to a level between ISO80-800 it considers will compensate without hopefully introducing too much noise. Still, you do get both in the same camera. Focusing is very quick in good It takes about 0.

5 second to store an image, allowing In Continuous The flash recycle You can scroll through You can also add a sound clip to an image, The Redeye Correction options fixes red eye after you have taken a photo useful if you forgot to activate it before. The Display button A thrirds press of the Display button shows the image alongside a small, magnified section, useful for quickly checking the sharpness. You may have to register before you can post click the register link above to proceed. To start viewing messages, select the forum that you want to visit from the selection below.
UserFriendly Manuals. Product Instructions.

<https://www.becompta.be/emploi/bosch-prio-manual>